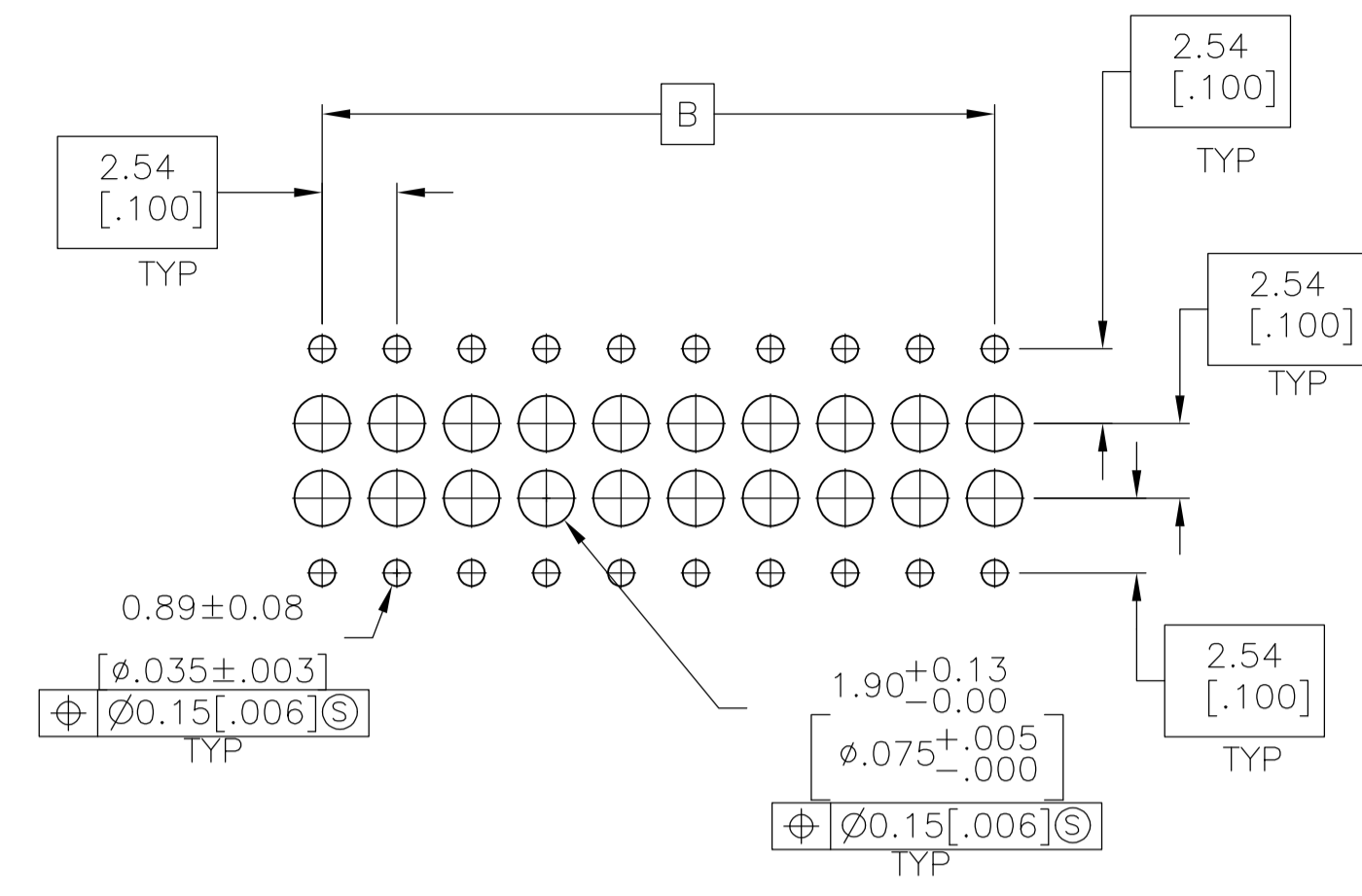
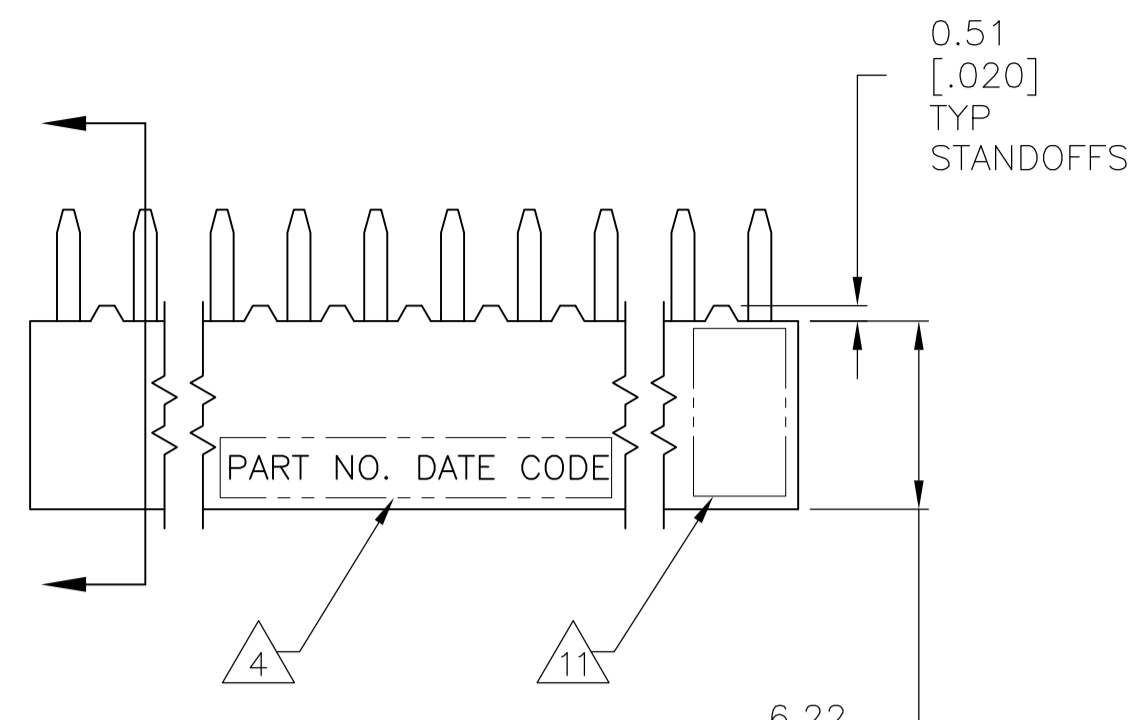
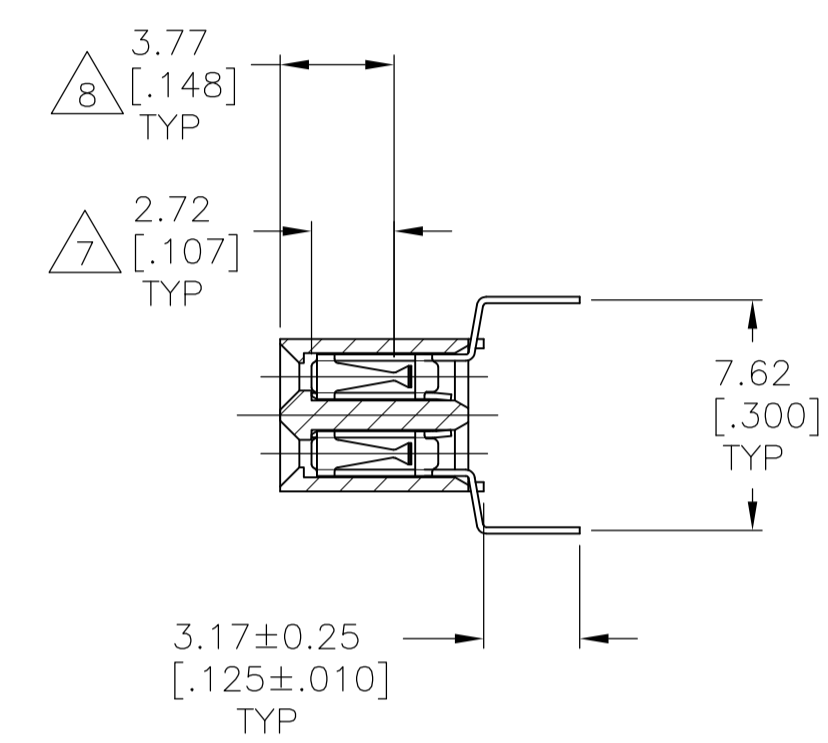
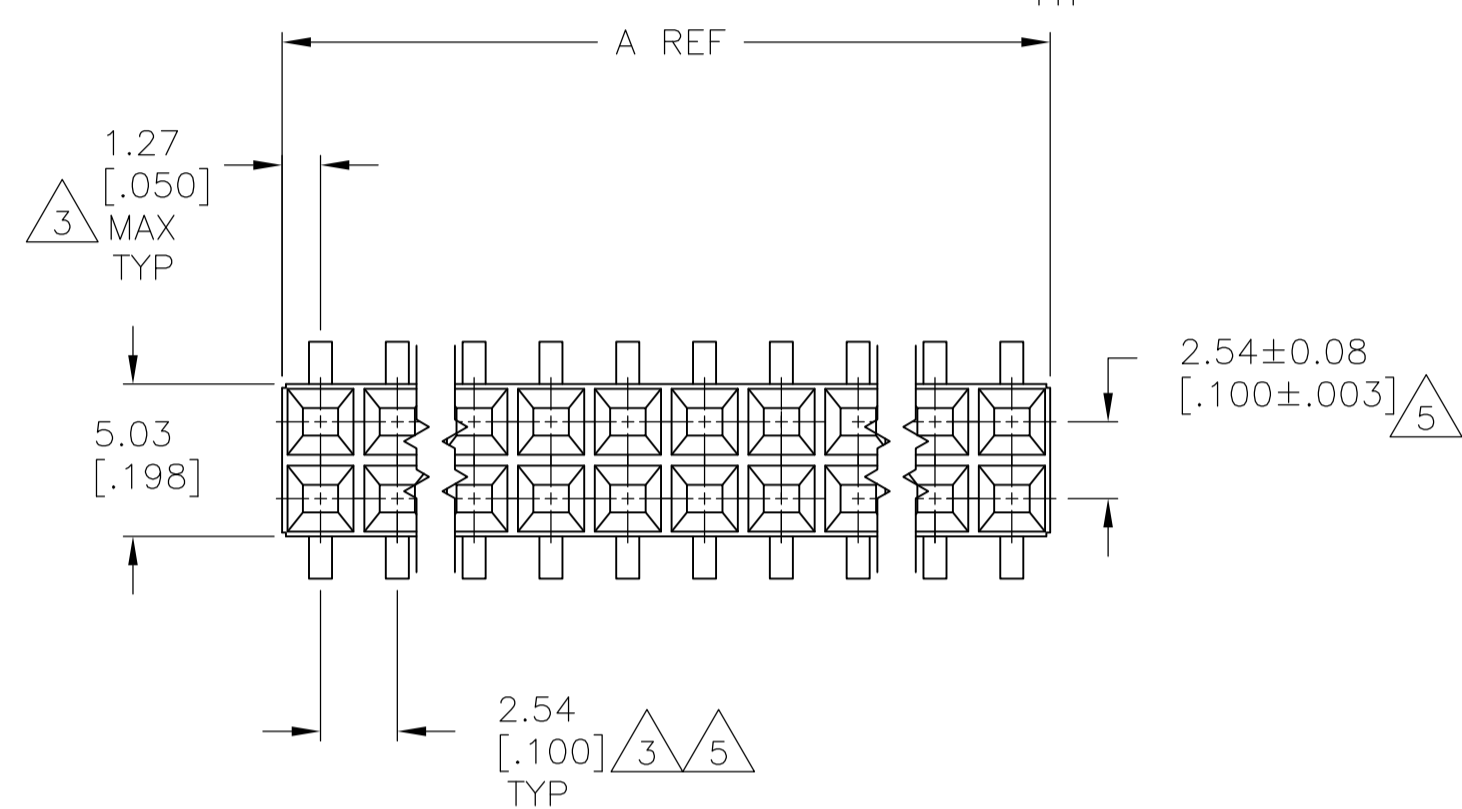


LOC		DIST		REVISIONS			
P	LTR	DESCRIPTION	DATE	BY	APPV		
K4	REVISED	PER ECO-13-005565	30MAR13	KH	JO		



RECOMMENDED PC BOARD HOLE PATTERN
PC BOARD THICKNESS 1.57[.062]



- 1 HOUSING: FLAME RETARDANT, GLASS FILLED, THERMOPLASTIC, COLOR: BLACK. CONTACT: PHOSPHOR BRONZE
- 2 CONTACT: 2.54-5.08µm[.000100-.000200] TIN-LEAD OVER 1.27µm[.000050] NICKEL.
- 3 THESE DIMENSIONS PERTAIN TO CAVITY CENTERLINES ONLY - NOT TO CONTACT LOCATIONS
- 4 MARK PART NUMBER AND DATE CODE IN APPROXIMATE LOCATION SHOWN, EITHER SIDE.
- 5 TOLERANCE IS NON-CUMULATIVE.
- 6 2 POSITION DATE CODE IS MARKED OPPOSITE SIDE OF TE LOGO.
- 7 POINT-OF-MEASUREMENT DIMENSION FOR PLATING THICKNESS (INSIDE CONTACT BEAM).
- 8 POINT-OF-CONTACT DIMENSION.
- 9 CONTACT: 3.81-7.62µm[.000150-.000300] TIN OVER 1.27µm[.000050] NICKEL.
- 10 ROHS 2002/95/EC COMPLIANT PART.
- 11 TE TRADEMARK AND CSA LOGO ARE MOLDED INTO HOUSING, THIS LOCATION.
- 12 NO PART NUMBER MARKING REQUIRED FOR THIS PART.

FINISH	B	A	NO OF POSN	PART NUMBER
	2.54[.100]	5.08[.200]	4	10 13 9-147100-0
		2.54[.100]	2	10 13 8-147100-9
	99.06[3.900]	101.60[4.000]	80	10 13 8-147100-8
	96.52[3.800]	99.06[3.900]	78	10 13 8-147100-7
	93.98[3.700]	96.52[3.800]	76	10 13 8-147100-6
	91.44[3.600]	93.98[3.700]	74	10 13 8-147100-5
	88.90[3.500]	91.44[3.600]	72	10 13 8-147100-4
	86.36[3.400]	88.90[3.500]	70	10 13 8-147100-3
	83.82[3.300]	86.36[3.400]	68	10 13 8-147100-2
	81.28[3.200]	83.82[3.300]	66	10 13 8-147100-1
	78.74[3.100]	81.28[3.200]	64	10 13 8-147100-0
	76.20[3.000]	78.74[3.100]	62	10 13 7-147100-9
	73.66[2.900]	76.20[3.000]	60	10 13 7-147100-8
	71.12[2.800]	73.66[2.900]	58	10 13 7-147100-7
	68.58[2.700]	71.12[2.800]	56	10 13 7-147100-6
	66.04[2.600]	68.58[2.700]	54	10 13 7-147100-5
	63.50[2.500]	66.04[2.600]	52	10 13 7-147100-4
	60.96[2.400]	63.50[2.500]	50	10 13 7-147100-3
	58.42[2.300]	60.96[2.400]	48	10 13 7-147100-2
	55.88[2.200]	58.42[2.300]	46	10 13 7-147100-1
	53.34[2.100]	55.88[2.200]	44	10 13 7-147100-0
	50.80[2.000]	53.34[2.100]	42	10 13 6-147100-9
	48.26[1.900]	50.80[2.000]	40	10 13 6-147100-8
	45.72[1.800]	48.26[1.900]	38	10 13 6-147100-7
	43.18[1.700]	45.72[1.800]	36	10 13 6-147100-6
	40.64[1.600]	43.18[1.700]	34	10 13 6-147100-5
	38.10[1.500]	40.64[1.600]	32	10 13 6-147100-4
	35.56[1.400]	38.10[1.500]	30	10 13 6-147100-3
	33.02[1.300]	35.56[1.400]	28	10 13 6-147100-2
	30.48[1.200]	33.02[1.300]	26	10 13 6-147100-1
	27.94[1.100]	30.48[1.200]	24	10 13 6-147100-0
	25.40[1.000]	27.94[1.100]	22	10 13 5-147100-9
	22.86[.900]	25.40[1.000]	20	10 13 5-147100-8
	20.32[.800]	22.86[.900]	18	10 13 5-147100-7
	17.78[.700]	20.32[.800]	16	10 13 5-147100-6
	15.24[.600]	17.78[.700]	14	10 13 5-147100-5
	12.70[.500]	15.24[.600]	12	10 13 5-147100-4
	10.16[.400]	12.70[.500]	10	10 13 5-147100-3
	7.62[.300]	10.16[.400]	8	10 13 5-147100-2
	5.08[.200]	7.62[.300]	6	10 13 5-147100-1

FINISH	B	A	NO OF POSN	PART NUMBER
	43.18[1.700]	45.72[1.800]	36	10 13 4-147100-1
	2.54[.100]	5.08[.200]	4	10 13 4-147100-0
	-	2.54[.100]	2	10 13 3-147100-9
	99.06[3.900]	101.60[4.000]	80	10 13 3-147100-8
	96.52[3.800]	99.06[3.900]	78	10 13 3-147100-7
	93.98[3.700]	96.52[3.800]	76	10 13 3-147100-6
	91.44[3.600]	93.98[3.700]	74	10 13 3-147100-5
	88.90[3.500]	91.44[3.600]	72	10 13 3-147100-4
	86.36[3.400]	88.90[3.500]	70	10 13 3-147100-3
	83.82[3.300]	86.36[3.400]	68	10 13 3-147100-2
	81.28[3.200]	83.82[3.300]	66	10 13 3-147100-1
	78.74[3.100]	81.28[3.200]	64	10 13 3-147100-0
	76.20[3.000]	78.74[3.100]	62	10 13 2-147100-9
	73.66[2.900]	76.20[3.000]	60	10 13 2-147100-8
	71.12[2.800]	73.66[2.900]	58	10 13 2-147100-7
	68.58[2.700]	71.12[2.800]	56	10 13 2-147100-6
	66.04[2.600]	68.58[2.700]	54	10 13 2-147100-5
	63.50[2.500]	66.04[2.600]	52	10 13 2-147100-4
	60.96[2.400]	63.50[2.500]	50	10 13 2-147100-3
	58.42[2.300]	60.96[2.400]	48	10 13 2-147100-2
	55.88[2.200]	58.42[2.300]	46	10 13 2-147100-1
	53.34[2.100]	55.88[2.200]	44	10 13 2-147100-0
	50.80[2.000]	53.34[2.100]	42	10 13 1-147100-9
	48.26[1.900]	50.80[2.000]	40	10 13 1-147100-8
	45.72[1.800]	48.26[1.900]	38	10 13 1-147100-7
	43.18[1.700]	45.72[1.800]	36	10 13 1-147100-6
	40.64[1.600]	43.18[1.700]	34	10 13 1-147100-5
	38.10[1.500]	40.64[1.600]	32	10 13 1-147100-4
	35.56[1.400]	38.10[1.500]	30	10 13 1-147100-3
	33.02[1.300]	35.56[1.400]	28	10 13 1-147100-2
	30.48[1.200]	33.02[1.300]	26	10 13 1-147100-1
	27.94[1.100]	30.48[1.200]	24	10 13 1-147100-0
	25.40[1.000]	27.94[1.100]	22	10 13 147100-9
	22.86[.900]	25.40[1.000]	20	10 13 147100-8
	20.32[.800]	22.86[.900]	18	10 13 147100-7
	17.78[.700]	20.32[.800]	16	10 13 147100-6
	15.24[.600]	17.78[.700]	14	10 13 147100-5
	12.70[.500]	15.24[.600]	12	10 13 147100-4
	10.16[.400]	12.70[.500]	10	10 13 147100-3
	7.62[.300]	10.16[.400]	8	10 13 147100-2
	5.08[.200]	7.62[.300]	6	10 13 147100-1

THIS DRAWING IS A CONTROLLED DOCUMENT. DIN M. BINNER 06NOV2002. CHK J. JOLSON 06NOV02. APVD J. JOLSON 06NOV02. NAME: RECEPTACLE ASSEMBLY, MOD IV, DOUBLE ROW, DUAL ENTRY, .100X.100CL, VERTICAL MOUNT, AMPMODU. APPLICATION SPEC: 114-25022. SIZE: A1. CASE CODE: 114-25018. DRAWING NO: 00779. PART NO: 147100. WEIGHT: -. RESTRICTED TO: CUSTOMER DRAWING. SCALE: 4:1. SHEET: 1 OF 1. REV: K4.